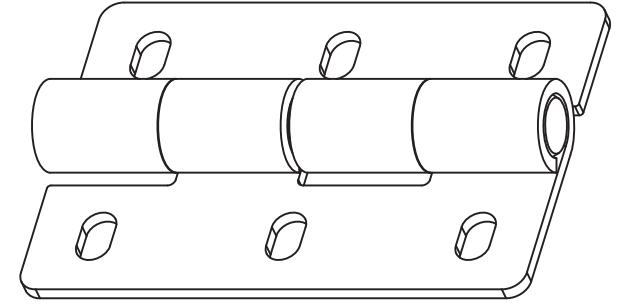


REVISION RECORD			
REV	DESCRIPTION	DATE	APPD



SHINELOT		TITLE			C-307-HNG	
		ENGLISH / METRIC		MATERIAL		
ALL INFORMATION ON THIS PRINT ARE PROPRIETARY TO SHINELOT, AND SHALL NOT BE USED IN WHOLE OR IN PART WITHOUT SHINELOT'S CONSENT.		TOLERANCES			SIZE	
		METRIC				
		0-6 mm ± 0.1 mm	120-400 mm ± 0.5 mm	B	DWG NO	REV 0.1
		6-30 mm ± 0.2 mm	400-1000 mm ± 0.8 mm			
USED ON	REV	30-120 mm ± 0.3 mm	ANGLE $\pm 1^\circ$	DRAWN BY		DATE
				SCALE 2:1		SHEET OF