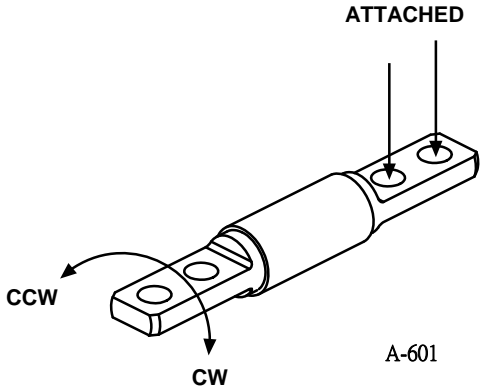
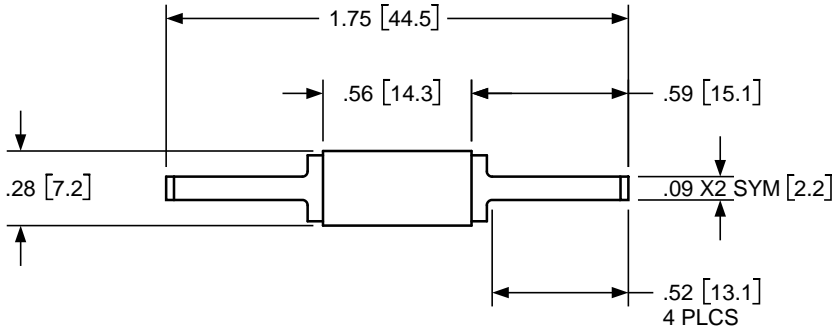
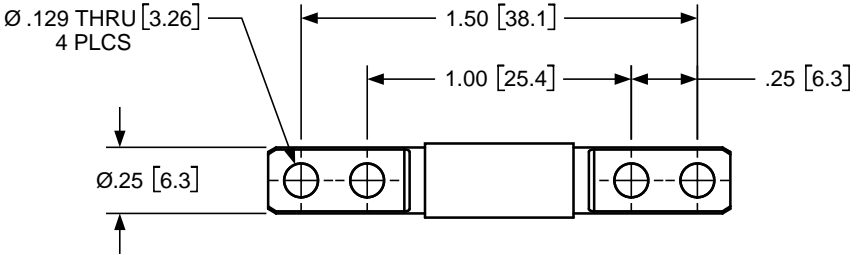


REVISION RECORD			
REV	DESCRIPTION	DATE	APPD



<b>SHINELOT</b>		TITLE				<b>INTERFACE DRAWING</b>	
		ENGLISH / METRIC TOLERANCES		MATERIAL		<b>STEEL BAND &amp; SHAFT</b>	
ALL INFORMATION ON THIS PRINT ARE PROPRIETARY TO SHINELOT, AND SHALL NOT BE USED IN WHOLE OR IN PART WITHOUT SHINELOT'S CONSENT.		METRIC	ENGLISH	SIZE	DWG NO	REV	
		.X ±.3 MM	.XX ±.015 IN	<b>B</b>	<b>A-601</b>	<b>A</b>	
		.XX ±.13 MM	.XXX ±.005 IN	DRAWN BY		DATE	
		.XXX ±.005 MM	.XXXX ±.0002 IN	SCALE		SHEET	
USED ON	REV	ANGLE ±1°		2:1		1 OF 1	