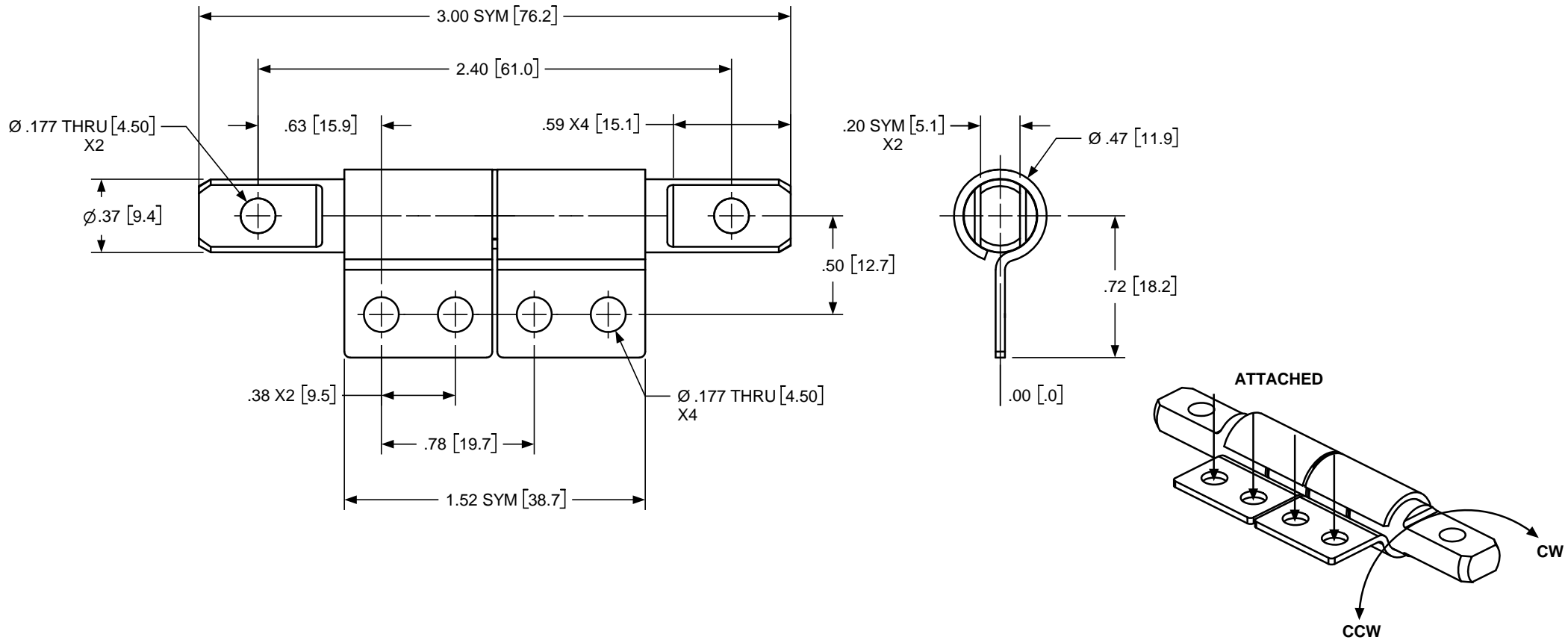


REVISION RECORD

REV	DESCRIPTION	DATE	APPD



NOTES:

- HINGE TORQUE: UNBALANCED.
- CCW TORQUE = 40.0 ± 15% IN.LB [460.8 ± 15% KG.MM].
- CW TORQUE IS LESS THAN CCW TORQUE.

SHINELOT		TITLE			
ALL INFORMATION ON THIS PRINT ARE PROPRIETARY TO SHINELOT, AND SHALL NOT BE USED IN WHOLE OR IN PART WITHOUT SHINELOT'S CONSENT.		ENGLISH / METRIC TOLERANCES		MATERIAL STEEL BAND & SHAFT	
		METRIC .X ±.3 MM .XX ±.13 MM .XXX ±.005 MM	ENGLISH .XX ±015 IN .XXX ±005 IN .XXXX ±0002 IN	SIZE B	DWG NO. 3008-0010-HNG 40XX
USED ON	REV	ANGLE ±1°		SCALE 2:1	DATE
				SHEET 1 OF 1	