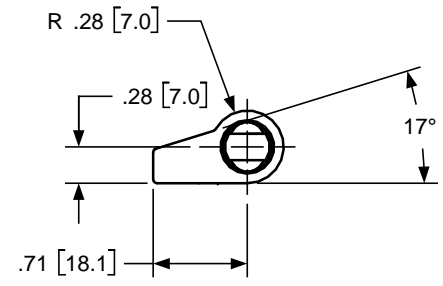
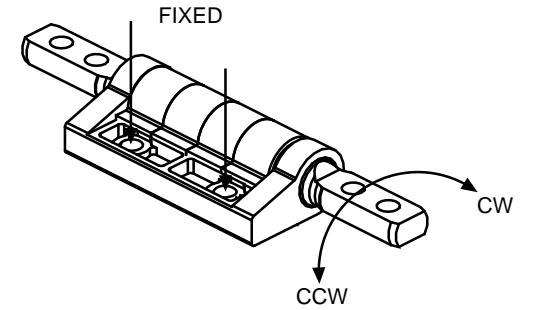
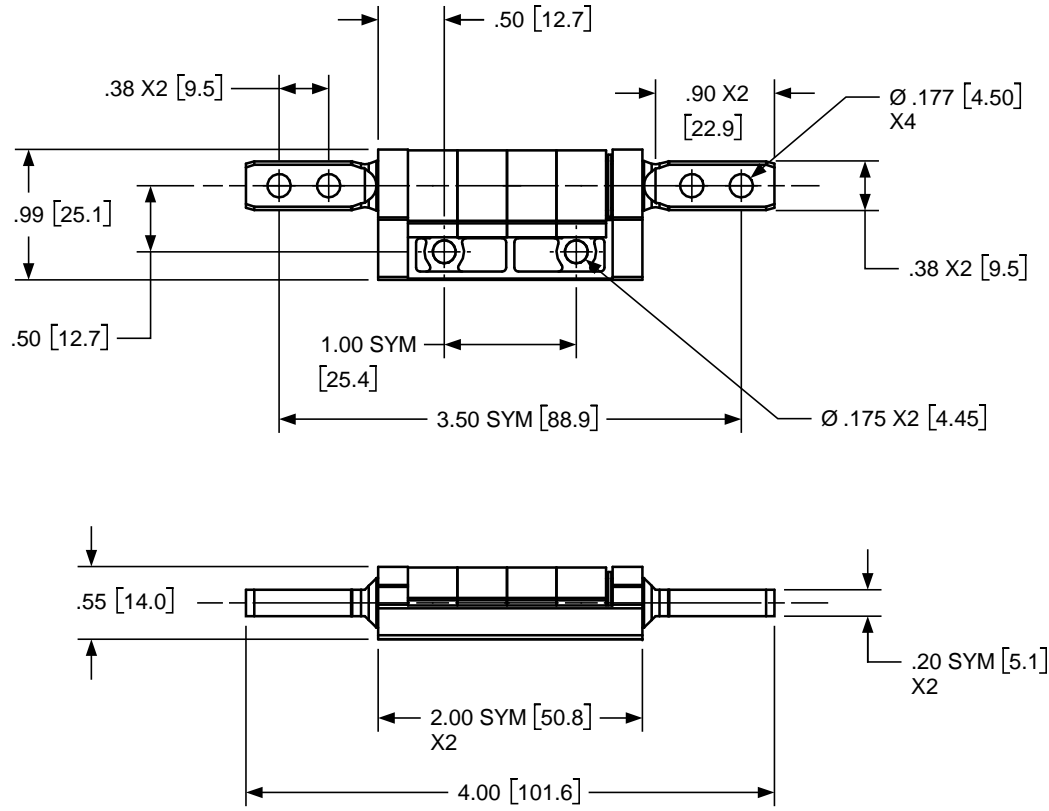


REVISION RECORD			
REV	DESCRIPTION	DATE	APPD



NOTES:

- HINGE TORQUE: UNBALANCED.
- BAND TAILS MUST BE FLUSH WITH HOUSING.
- CW TORQUE = XX (LOWER THAN CCW TORQUE).
- CCW TORQUE = 60.0 ± 15% IN.LB [346 ± 15% KG.MM].

SHINELOT		TITLE			
		HINGE INTERFACE			
ALL INFORMATION ON THIS PRINT ARE PROPRIETARY TO SHINELOT, AND SHALL NOT BE USED IN WHOLE OR IN PART WITHOUT SHINELOT'S CONSENT.		ENGLISH / METRIC		MATERIAL	
		TOLERANCES		ZINC HOUSING STEEL SHAFT & BAND	
		METRIC	ENGLISH	SIZE	DWG NO.
		.X ±.3 MM	.XX ±015 IN	B	3001-0050-HNG 60XX
		.XX ±.13 MM	.XXX ±005 IN		REV
		.XXX ±.005 MM	.XXXX ±0002 IN		0.0
		DRAWN BY		DATE	
		SCALE		SHEET	
USED ON	REV	ANGLE ±1°		1:1	1 OF 1