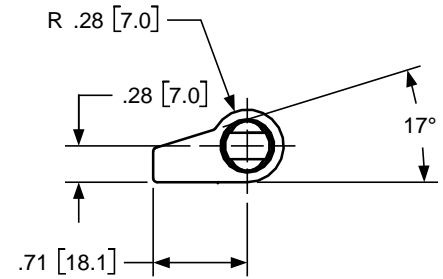
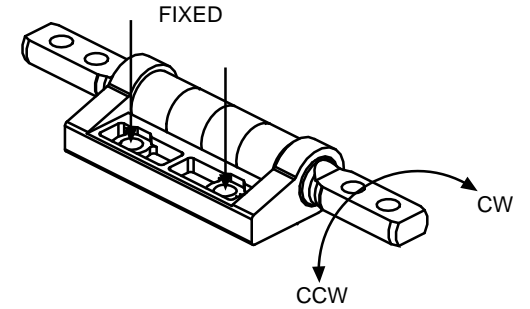
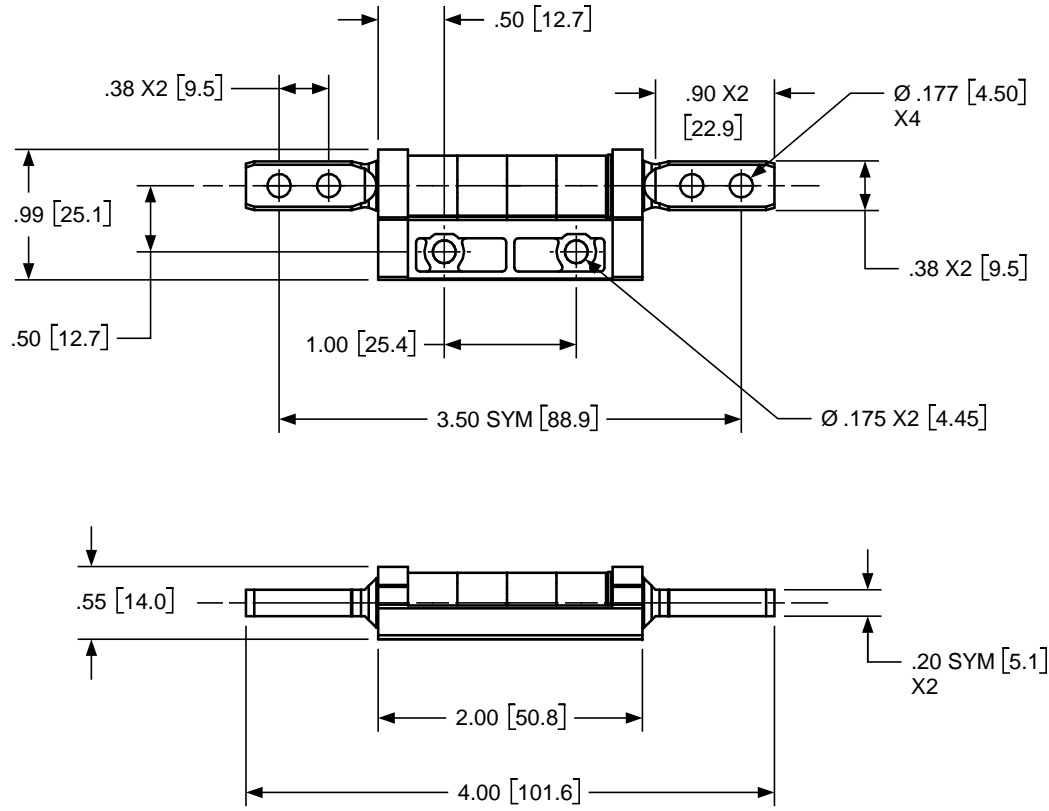


REVISION RECORD			
REV	DESCRIPTION	DATE	APPD



NOTES:

- 1) HINGE TORQUE: UNBALANCED.
- 2) CW TORQUE = XX (LOWER THAN CCW TORQUE).
- 3) CCW TORQUE = 40.0 ± 15% IN.LB [346 ± 15% KG.MM].

SHINELOT		TITLE				HINGE INTERFACE	
		<small>ALL INFORMATION ON THIS PRINT ARE PROPRIETARY TO SHINELOT, AND SHALL NOT BE USED IN WHOLE OR IN PART WITHOUT SHINELOT'S CONSENT.</small>		ENGLISH / METRIC TOLERANCES		MATERIAL ZINC HOUSING STEEL SHAFT & BAND	
		METRIC .X ± .3 MM .XX ± .13 MM .XXX ± .005 MM	ENGLISH .XX ± .015 IN .XXX ± .005 IN .XXXX ± .0002 IN	SIZE B	DWG NO. 3001-0050-HNG 40XX	REV 0.0	
USED ON	REV	ANGLE ± 1°		DRAWN BY	DATE		
				SCALE	1:1	SHEET 1 OF 1	