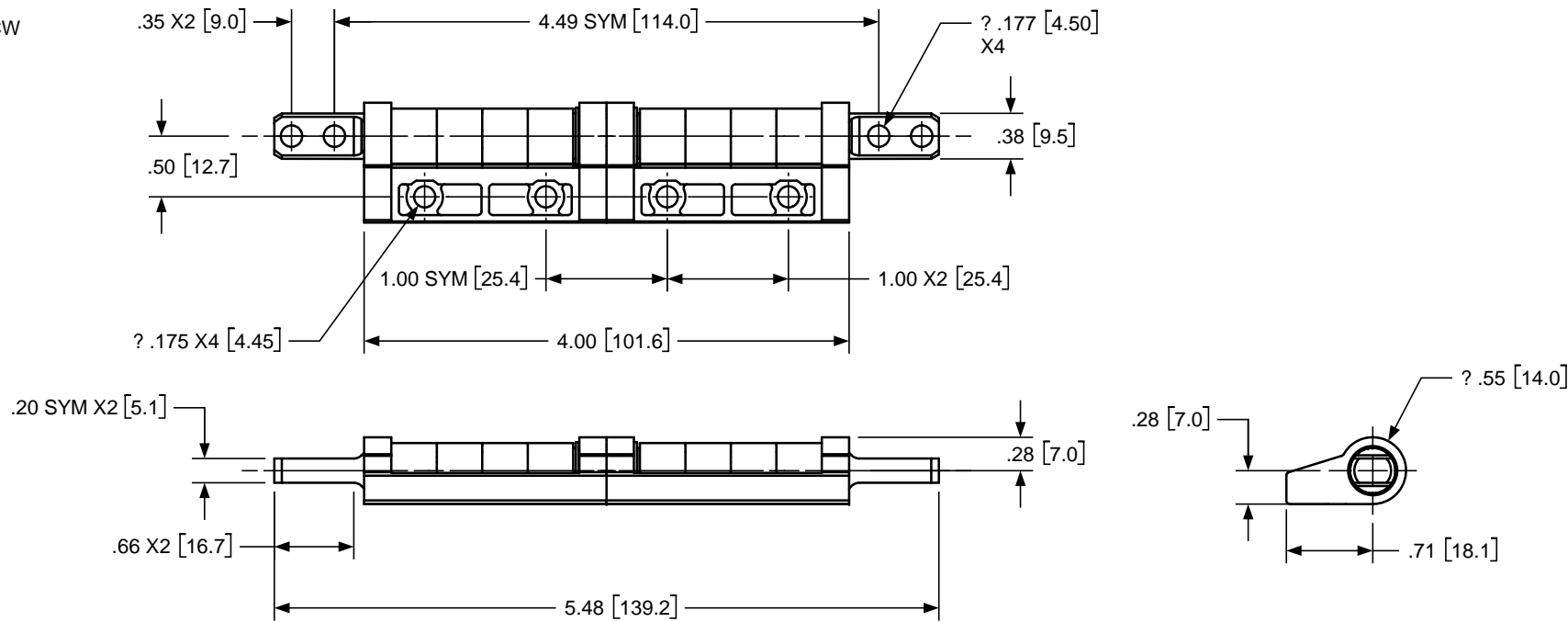


REVISION RECORD			
REV	DESCRIPTION	DATE	APPD



- NOTES:**
- HINGE TORQUE: UNBALANCED.
 - CW TORQUE = 80.0 ± 15% IN.LB [922 ± 15% KG.MM].
 - CCW TORQUE = LESS THAN CW TORQUE.

SHINELOT <small>ALL INFORMATION ON THIS PRINT ARE PROPRIETARY TO SHINELOT, AND SHALL NOT BE USED IN WHOLE OR IN PART WITHOUT SHINELOT'S CONSENT.</small>		TITLE			HINGE INTERFACE		
		ENGLISH / METRIC TOLERANCES		MATERIAL ZINC HOUSING STEEL SHAFT AND BAND			
		METRIC .X ±.3 MM .XX ±.13 MM .XXX ±.005 MM	ENGLISH .XX ±015 IN .XXX ±005 IN .XXXX ±0002 IN	SIZE B	DWG NO. 3001-0010-HNG XX80	REV 0.0	
USED ON	REV	ANGLE ±1°		DRAWN BY		DATE	
				SCALE	1:1	SHEET 1 OF 1	