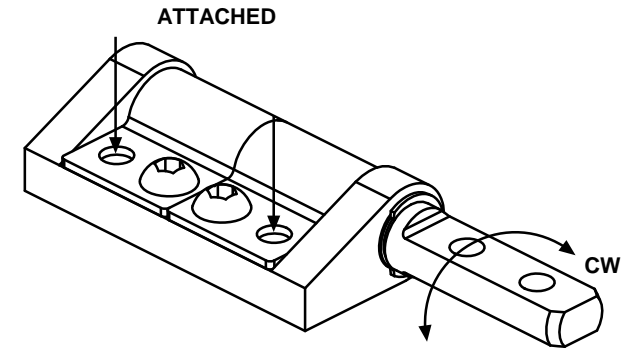
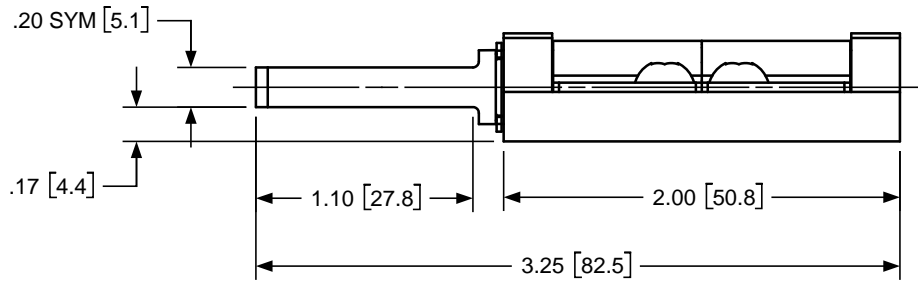


3000-0401-HNG L



3000-0401-HNG R

SHINELOT		TITLE INTERFACE DRAWING			
ALL INFORMATION ON THIS PRINT ARE PROPRIETARY TO SHINELOT, AND SHALL NOT BE USED IN WHOLE OR IN PART WITHOUT SHINELOT'S CONSENT.		ENGLISH / METRIC		MATERIAL	
		TOLERANCES		ZINC HOUSING STEEL BAND & SHAFT	
		METRIC	ENGLISH	SIZE	DWG NO
		.X ±.3 MM	.XX ±.015 IN	B	3000-0401-HNG
		.XX ±.13 MM	.XXX ±.005 IN		REV
		.XXX ±.005 MM	.XXXX ±.0002 IN		A
USED ON	REV	ANGLE ±1°		SCALE	DATE
				3:2	SHEET 1 OF 1