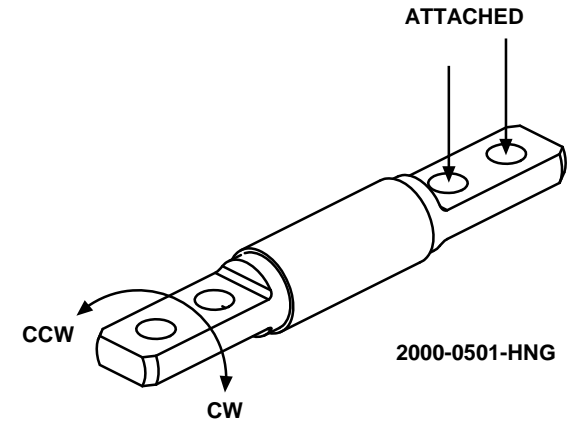


REVISION RECORD			
REV	DESCRIPTION	DATE	APPD



<b>SHINELOT</b>		TITLE <b>INTERFACE DRAWING</b>			
ALL INFORMATION ON THIS PRINT ARE PROPRIETARY TO SHINELOT, AND SHALL NOT BE USED IN WHOLE OR IN PART WITHOUT SHINELOT'S CONSENT.		ENGLISH / METRIC		MATERIAL	
		TOLERANCES		<b>STEEL BAND &amp; SHAFT</b>	
		METRIC	ENGLISH	SIZE	DWG NO
		.X ±.3 MM	.XX ±.015 IN	<b>B</b>	<b>2000-0501-HNG</b>
		.XX ±.13 MM	.XXX ±.005 IN		
		.XXX ±.005 MM	.XXXX ±.0002 IN		
USED ON	REV	ANGLE ±1°		SCALE	DATE
				<b>2:1</b>	
				SHEET	1 OF 1