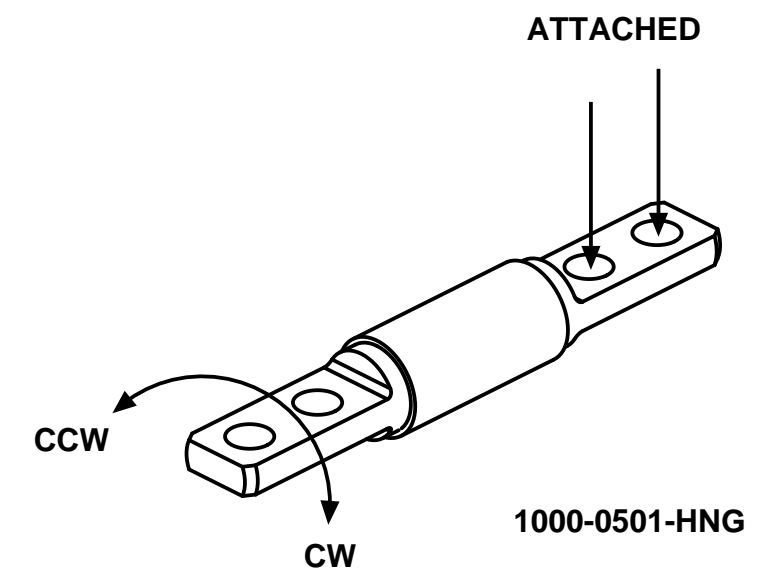
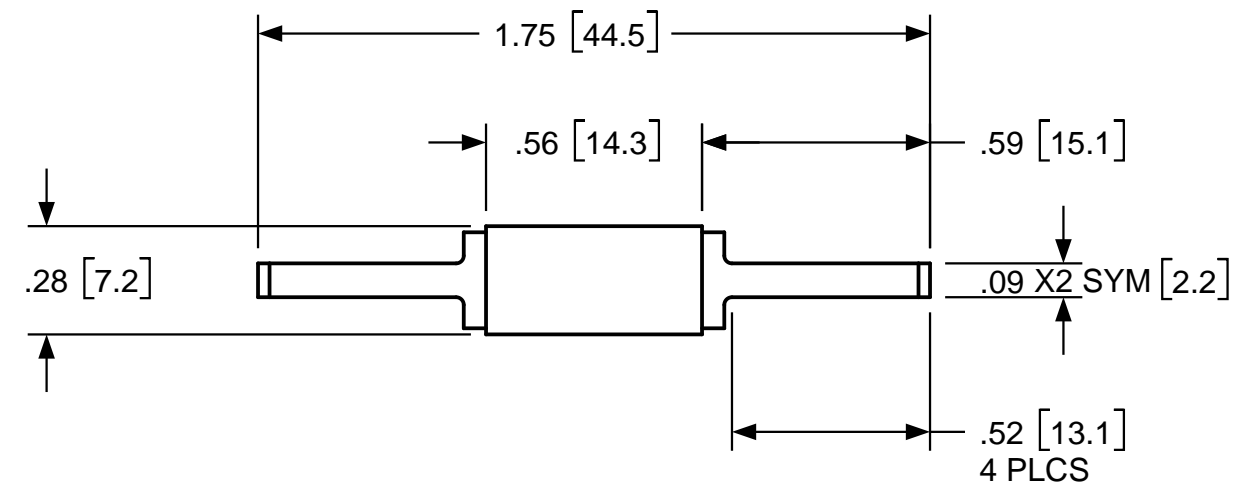
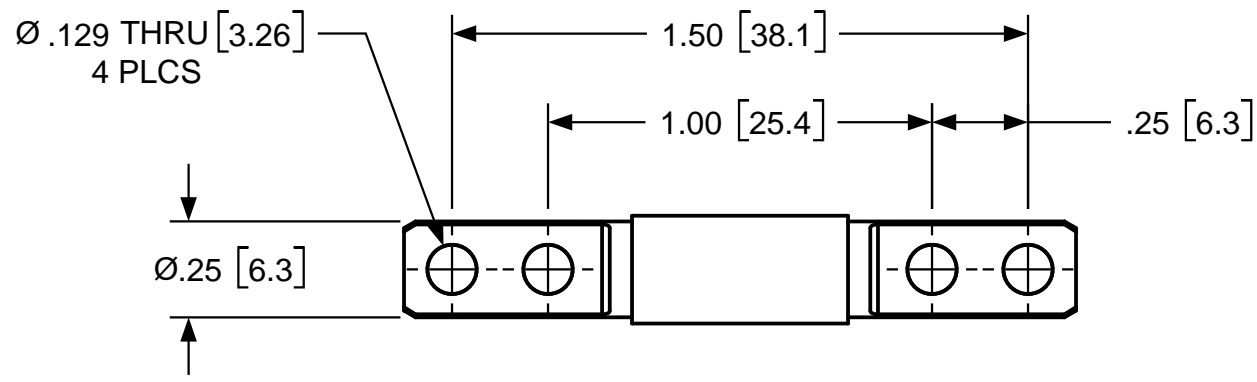


REVISION RECORD			
REV	DESCRIPTION	DATE	APPD



SHI NELOT		TITLE INTERFACE DRAWING			
ALL INFORMATION ON THIS PRINT ARE PROPRIETARY TO HANAYA, AND SHALL NOT BE USED IN WHOLE OR IN PART WITHOUT HANAYA'S CONSENT.		ENGLISH / METRIC TOLERANCES		MATERIAL STEEL BAND & SHAFT	
		METRIC .X ±.3 MM .XX ±.13 MM .XXX ±.005 MM	ENGLISH .XX ±015 IN .XXX ±005 IN .XXXX ±0002 IN	SIZE B	DWG NO 1000-0501-HNG
USED ON	REV	ANGLE ±1°		DRAWN BY	DATE
		SCALE 2:1	SHEET 1 OF 1		